

Wheelchair Scale

Single Ramp with Wheel Stop

Standard Features

- Capacity: 1000 lb x 0.2 lb (450 kg x 0.1 kg)
- Platform dimensions: 34 in x 34 in
- Anti slip rubber surface on platform
- Two integral handles and wheels for portability ease
- Motiontrap™ (movement compensation technology)
- Large 1 inch LCD display
- Ability to manually enter the tare weight of a wheelchair
- BMI (body mass index) function
- Hold function
- Unit of measure: lb only, kg only, Lb/Kg
- EMR capable, USB
- 10 ft cable between scale base and indicator

Specifications

Power:

9VDC, provided by six "AA" alkaline batteries (included) or AC adapter (optional)

Battery Type:

Six "AA" alkaline

Battery Use:

25 hours continuous use with batteries

Operating Temperature:

50°F to 104°F (14°C to 40°C)

Warranty:

Two-year limited warranty

Approvals:

CE

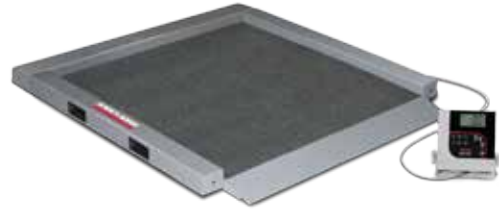
Part Number/Price

PART #	MODEL	CAPACITY	EST. SHIP WEIGHT	PRICE
150703	RL-350-5	1000 lb (450 kg) x 0.2 lb (0.1 kg)	135 lb	Consult

Options/Accessories

PART #	DESCRIPTION	PRICE
133077	9V AC adapter, 120V/230V auto switching †	Consult
102508	9V AC adapter, 230V ††	Consult

DIMENSIONS			
A	41 in	D	34 in
B	40 in	E	34 in
C	2.22 in		

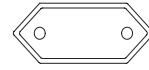


Single Ramp with Wheel Stop Model RL-350-5

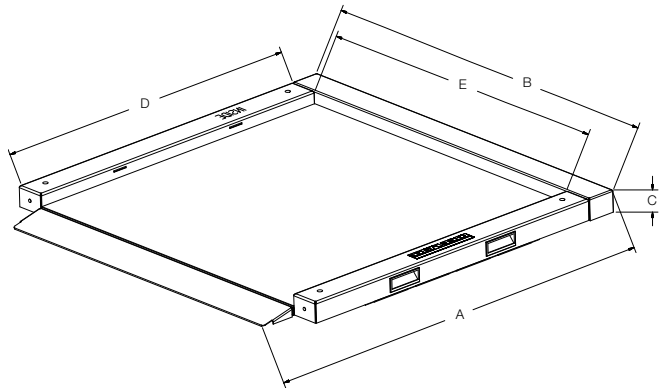
APPROVALS



† NEMA 1-15 Plug



†† CEE 7/16 Euro Plug



Model RL-350-6