

Wheelchair Scale

Standard Features

- Capacity: 1000 lb x 0.2 lb (450 kg x 0.1 kg)
- Platform dimensions: 29.5 in x 32 in
- Dual ramp for on-off access
- Two wheels for portability ease
- Motiontrap™ (movement compensation technology)
- Large 1 inch LCD display
- Ability to manually enter the tare weight of a wheelchair
- BMI (body mass index) function
- Hold function
- Unit of measure: lb only, kg only, Lb/Kg
- EMR capable, USB
- Includes padded, fold away chair with back rest

Specifications

Power:

9VDC, provided by six "AA" alkaline batteries (included) or AC adapter (optional)

Battery Type:

Six "AA" alkaline

Battery Use:

25 hours continuous use with batteries

Operating Temperature:

50°F to 104°F (14°C to 40°C)

Warranty:

Two-year limited warranty

Approvals:

CE

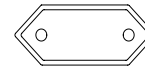


Dual Ramp Wheelchair Platform with Chair Seat
Model 350-10-4

APPROVALS



† NEMA 1-15 Plug



†† CEE 7/16 Euro Plug

Part Number/Price

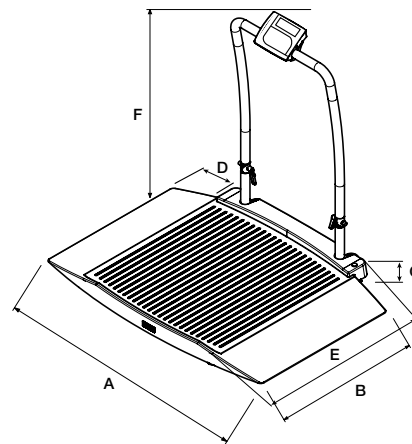
PART #	MODEL	CAPACITY	EST. SHIP WEIGHT	PRICE
Wheelchair Scale with Chair Seat				
141448	350-10-4	1000 lb (450 kg) x 0.2 lb (0.1 kg)	85 lb	Consult

Options/Accessories

PART #	DESCRIPTION	PRICE
133077	9V AC adapter, 120V/230V auto switching †	Consult
102508	9V AC adapter, 230V ††	Consult

DIMENSIONS

Wheelchair Scale			
A	48.5 in	D	9.25 in
B	29.5 in	E	38 in
C	2.375 in	F	45 in
Wheelchair Platform Scale			
A	48.5 in	D	9.25 in
B	29.5 in	E	38 in
C	2.375 in	F	N/A



Model 350-10-3