



Parts List

Series MCS Scales



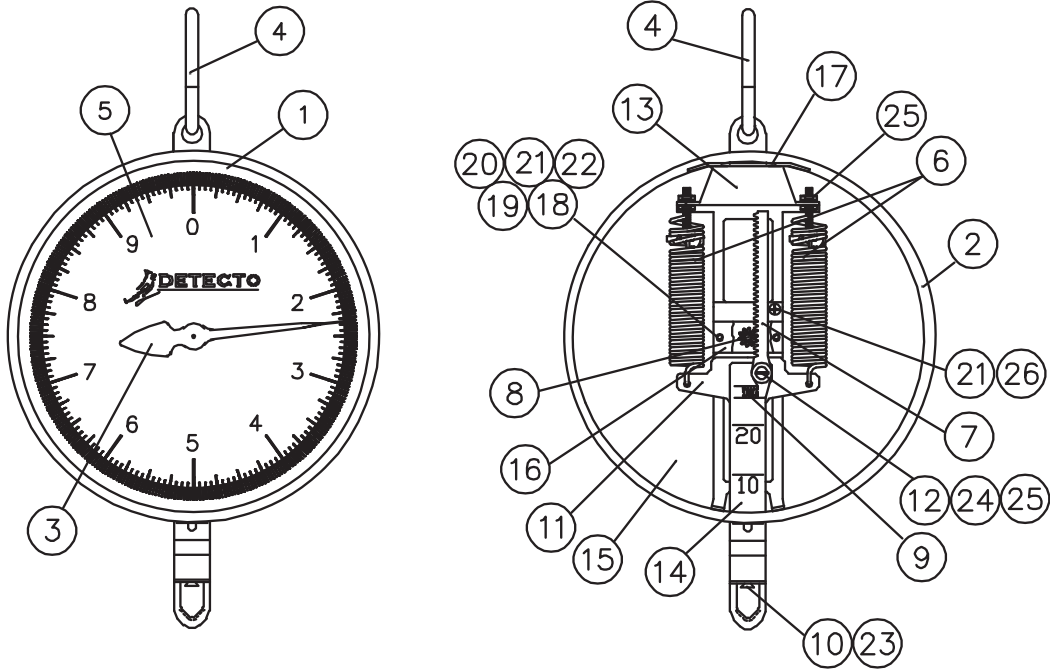
0031-M139-O1 Rev A
08/10

CARDINAL SCALE MFG. CO.
PO Box 151 • Webb City, MO 64870
Ph: 417-673-4631 • Fax: 417-673-5001
www.detectoscale.com

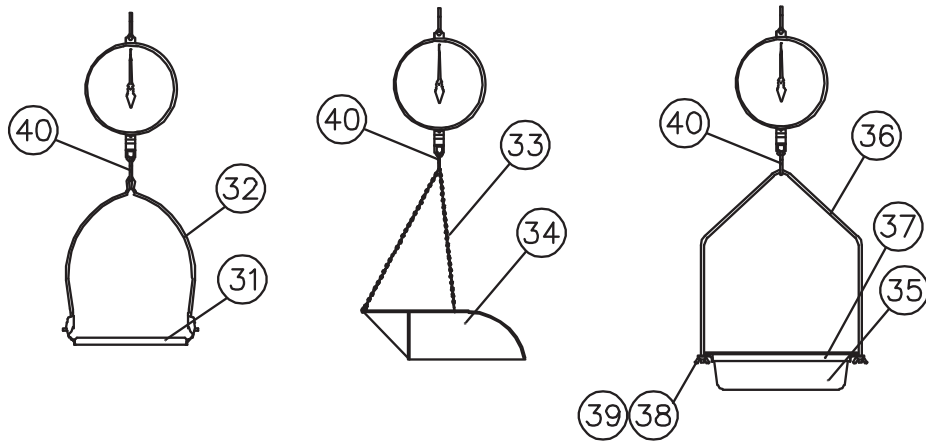
Printed in USA

Parts Department: 1-800-641-2045 • parts@cardet.com

PARTS LIST FOR SERIES MCS
HANGING SCALES



PARTS FOR COMMODITY ATTACHMENTS



PARTS LIST FOR 20 lb HANGING SCALES

ITEM	PART NUMBER	DESCRIPTION				
			MCS-20Y	MCS-20DX	MCS-20XT	MCS-20DXT
1	0044-C125-08	Lens	1	2	1	2
2	0044-D129-08	Sash Ring Half "Symmetrical"	2	2	2	2
3	31S12X	Pointer Assembly	1	2	1	2
4	1S34	"S" Hook 3/16" Dia.	1	1	1	1
5		Dial Charts				
	0031-C017-08	10 lb Per Rev R.H.	1	1	1	1
	0031-C018-08	10 lb Per Rev L.H.	-	1	-	1
6		Spring Assemblies				
	26S132X	20 lb Springs	2	2	-	-
	0031-B022-0A	20 lb Springs (Temp Comp)	-	-	2	2
7	0031-B006-08	Rack	1	1	1	1
8	0031-B003-08	Pinion	1	1	1	1
9	6022-0015	Rack Tension Spring	1	1	1	1
10	6022-0014	Zero Adjust Spring	1	1	1	1
11		Runner				
	0031-B004-48	Blank	1	-	1	-
	0031-B004-18	20 lb Capacity	-	1	-	1
12	0031-B007-08	Rack Bushing	1	1	1	1
13	0031-C001-08	Base Plate	1	1	1	1
14	0031-B005-18	Slide 20 lb/kg	1	1	1	1
15	0031-C015-08	Back Cover (Single Dial Scales)	1	-	1	-
16	0031-C002-08	Pinion Bracket	1	1	1	1
17	0031-B008-08	Sash Bracket	1	1	1	1
18	0031-B014-08	Spacer	2	-	2	-
19	6021-0838	Truss Head Scw #8-32 x 1/2"	2	-	2	-
20	6021-0845	Truss Head Scw #8-32 x 1/4"	2	4	2	4
21	6024-0032	Lock Washer #8	4	2	4	2
22	6024-1000	Internal Tooth Washer #8	4	6	2	4
23	6021-0792	Flat Head Scw #8-32 x 3/4"	1	1	1	1
24	6021-0831	Truss Head Scw #8-32 x 3/8"	1	1	1	1
25	6013-0255	Hex Nut #8-32	3	3	3	3
26	6021-1843	Pan Head Scw #8-32 x 3/16"	2	2	2	2
27*	6021-0868	Flat Head Scw #8-32 x 1/2"	6	6	6	6

* Not shown

PARTS LIST FOR COMMODITY ATTACHMENTS

	ITEM	PART NUMBER	DESCRIPTION				
				X=B	X=F	X=H	X=P
BUTCHER PAN COMMODITY.....	31	26S35X	Butcher Pan	1	-	-	-
	32	26S37X	Bow Assembly	1	-	-	-
VEGETABLE SCOOP COMODITY.....	33	6S48	Vegetable Scoop	-	-	-	1
	34	6S148X	Chain Assembly	-	-	-	1
FISH PAN COMMODITY.....	35	0031-C163-08	Fish Pan	-	1	-	-
	36	0031-C167-08	Bar Support	-	1	-	-
	37	0031-B166-0A	Ring Assembly	-	1	-	-
	38	40S51	Pan Bow Nuts	-	2	-	-
	39	6013-0378	Wing Nut 5/16-18	-	2	-	-
	40	0031-B041-08	"S" Hook 1/4" Dia.	1	1	1	1
MEAT HOOK COMMODITY.....	41*	11S1034	Meat Hook	-	-	1	-

* Not shown

PARTS LIST FOR 40 lb HANGING SCALES

ITEM	PART NUMBER	DESCRIPTION				
			MCS-40X	MCS-40DX	MCS-40XT	MCS-40DXT
1	0044-C125-08	Lens	1	2	1	2
2	0044-D129-08	Sash Ring Half "Symmetrical"	2	2	2	2
3	31S12X	Pointer Assembly	1	2	1	2
4	0031-B041-08	"S" Hook 1/4" Dia.	1	1	1	1
5		Dial Charts				
	0031-C019-08	20 lb Per Rev R.H.	1	1	1	1
	0031-C020-08	20 lb Per Rev L.H.	-	1	-	1
6		Spring Assemblies				
	26S131X	40 lb Springs	2	2	-	-
	0031-B023-0A	40 lb Springs (Temp Comp)	-	-	2	2
7	0031-B006-08	Rack	1	1	1	1
8	0031-B003-08	Pinion	1	1	1	1
9	6022-0015	Rack Tension Spring	1	1	1	1
10	6022-0014	Zero Adjust Spring	1	1	1	1
11		Runner				
	0031-B004-48	Blank	1	-	1	-
	0031-B004-28	40 lb Capacity	-	1	-	1
12	0031-B007-08	Rack Bushing	1	1	1	1
13	0031-C001-08	Base Plate	1	1	1	1
14	0031-B005-28	Slide 40 lb/kg	1	1	1	1
15	0031-C015-08	Back Cover (Single Dial Scales)	1	-	1	-
16	0031-C002-08	Pinion Bracket	1	1	1	1
17	0031-B008-08	Sash Bracket	1	1	1	1
18	0031-B014-08	Spacer	2	-	2	-
19	6021-0838	Truss Head Scw #8-32 x 1/2"	2	-	2	-
20	6021-0845	Truss Head Scw #8-32 x 1/4"	2	4	2	4
21	6024-0032	Lock Washer #8	4	2	4	2
22	6024-1000	Internal Tooth Washer #8	4	6	2	6
23	6021-0792	Flat Head Scw #8-32 x 3/4"	1	1	1	1
24	6021-0831	Truss Head Scw #8-32 x 3/8"	1	1	1	1
25	6013-0255	Hex Nut #8-32	3	3	3	3
26	6021-1843	Pan Head Scw #8-32 x 3/16"	2	2	2	2
27*	6021-0868	Flat Head Scw #8-32 x 1/2"	6	6	6	6

* Not shown

PARTS LIST FOR COMMODITY ATTACHMENTS

	ITEM	PART NUMBER	DESCRIPTION					
				X=B	X=F	X=H	X=M	X=P
BUTCHER PAN COMMODITY.....	31	26S35X	Butcher Pan	1	-	-	-	-
	32	26S37X	Bow Assembly	1	-	-	-	-
VEGETABLE SCOOP COMODITY.....	33	6S48	Vegetable Scoop	-	-	-	-	1
	34	6S148X	Chain Assembly	-	-	-	-	1
FISH PAN COMMODITY.....	35	0031-C163-08	Fish Pan	-	1	-	-	-
	36	0031-C167-08	Bar Support	-	1	-	-	-
	37	0031-B166-0A	Ring Assembly	-	1	-	-	-
	38	40S51	Pan Bow Nuts	-	2	-	-	-
	39	6013-0378	Wing Nut 5/16-18	-	2	-	-	-
	40	0031-B041-08	"S" Hook 1/4" Dia.	1	1	1	1	1
MEAT HOOK COMMODITY.....	41*	11S1034	Meat Hook	-	-	1	1	-

* Not shown

PARTS LIST FOR 10 kg HANGING SCALES

ITEM	PART NUMBER	DESCRIPTION	MCS-10KGX		MCS-10KGDY	
1	0044-C125-08	Lens	1	2		
2	0044-D129-08	Sash Ring Half "Symmetrical"	2	2		
3	31S12X	Pointer Assembly	1	2		
4	1S34	"S" Hook 3/16" Dia.	1	1		
5		Dial Charts				
	0031-C043-08	5 kg Per Rev R.H.	1	1		
	0031-C044-08	5 kg Per Rev L.H.	-	1		
6	26S132X	20 lb Springs	2	2		
7	0031-B006-08	Rack	1	1		
8	0031-B003-08	Pinion	1	1		
9	6022-0015	Rack Tension Spring	1	1		
10	6022-0014	Zero Adjust Spring	1	1		
11		Runner				
	0031-B004-48	Blank	1	-		
	0031-B004-38	10 kg Capacity	-	1		
12	0031-B007-08	Rack Bushing	1	1		
13	0031-C001-08	Base Plate	1	1		
14	0031-B005-38	Slide 10 lb/kg	1	1		
15	0031-C015-08	Back Cover (Single Dial Scales)	1	-		
16	0031-C002-08	Pinion Bracket	1	1		
17	0031-B008-08	Sash Bracket	1	1		
18	0031-B014-08	Spacer	2	-		
19	6021-0838	Truss Head Scw #8-32 x 1/2"	2	-		
20	6021-0845	Truss Head Scw #8-32 x 1/4"	2	4		
21	6024-0032	Lock Washer #8	4	2		
22	6024-1000	Internal Tooth Washer #8	4	6		
23	6021-0792	Flat Head Scw #8-32 x 3/4"	1	1		
24	6021-0831	Truss Head Scw #8-32 x 3/8"	1	1		
25	6013-0255	Hex Nut #8-32	3	3		
26	6021-1843	Pan Head Scw #8-32 x 3/16"	2	2		
27*	6021-0868	Flat Head Scw #8-32 x 1/2"	6	6		

* Not shown

PARTS LIST FOR COMMODITY ATTACHMENTS

	ITEM	PART NUMBER	DESCRIPTION	X =			
				B	F	H	P
BUTCHER PAN COMMODITY.....	31	26S35X	Butcher Pan	1	-	-	-
	32	26S37X	Bow Assembly	1	-	-	-
VEGETABLE SCOOP COMODITY.....	33	6S48	Vegetable Scoop	-	-	-	1
	34	6S148X	Chain Assembly	-	-	-	1
FISH PAN COMMODITY.....	35	0031-C163-08	Fish Pan	-	1	-	-
	36	0031-C167-08	Bar Support	-	1	-	-
	37	0031-B166-0A	Ring Assembly	-	1	-	-
	38	40S51	Pan Bow Nuts	-	2	-	-
	39	6013-0378	Wing Nut 5/16-18	-	2	-	-
	40	0031-B041-08	"S" Hook 1/4" Dia.	1	1	1	1
MEAT HOOK COMMODITY.....	41*	11S1034	Meat Hook	-	-	1	-

* Not shown

PARTS LIST FOR 20 kg HANGING SCALES

ITEM	PART NUMBER	DESCRIPTION			
			MCS-20KGX	MCS-20KGDY	MCS-20KGYT
1	0044-C125-08	Lens	1	2	1
2	0044-D129-08	Sash Ring Half "Symmetrical"	2	2	2
3	31S12X	Pointer Assembly	1	2	1
4	0031-B041-08	"S" Hook 1/4" Dia.	1	1	1
5		Dial Charts			
	0031-C045-08	10 kg Per Rev R.H.	1	1	1
	0031-C046-08	10 kg Per Rev L.H.	-	1	-
6		Springs			
	26S133X	20 kg	2	2	-
	0031-B023-0A	40 lb/20 kg	-	-	2
7	0031-B006-08	Rack	1	1	1
8	0031-B003-08	Pinion	1	1	1
9	6022-0015	Rack Tension Spring	1	1	1
10	6022-0014	Zero Adjust Spring	1	1	1
11		Runner			
	0031-B004-48	Blank	1	-	1
	0031-B004-18	20 lb Capacity	-	1	-
12	0031-B007-08	Rack Bushing	1	1	1
13	0031-C001-08	Base Plate	1	1	1
14	0031-B005-18	Slide 20 lb/kg	1	1	1
15	0031-C015-08	Back Cover (Single Dial Scales)	1	-	1
16	0031-C002-08	Pinion Bracket	1	1	1
17	0031-B008-08	Sash Bracket	1	1	1
18	0031-B014-08	Spacer	2	-	2
19	6021-0838	Truss Head Scw #8-32 x 1/2"	2	-	2
20	6021-0845	Truss Head Scw #8-32 x 1/4"	2	4	2
21	6024-0032	Lock Washer #8	4	2	4
22	6024-1000	Internal Tooth Washer #8	4	6	4
23	6021-0792	Flat Head Scw #8-32 x 3/4"	1	1	1
24	6021-0831	Truss Head Scw #8-32 x 3/8"	1	1	1
25	6013-0255	Hex Nut #8-32	3	3	3
26	6021-1843	Pan Head Scw #8-32 x 3/16"	2	2	2
27*	6021-0868	Flat Head Scw #8-32 x 1/2"	6	6	6

* Not shown

PARTS LIST FOR COMMODITY ATTACHMENTS

	ITEM	PART NUMBER	DESCRIPTION				
				X=B	X=F	X=H	X=P
BUTCHER PAN COMMODITY.....	31	26S35X	Butcher Pan	1	-	-	-
	32	26S37X	Bow Assembly	1	-	-	-
VEGETABLE SCOOP COMODITY.....	33	6S48	Vegetable Scoop	-	-	-	1
	34	6S148X	Chain Assembly	-	-	-	1
FISH PAN COMMODITY.....	35	0031-C163-08	Fish Pan	-	1	-	-
	36	0031-C167-08	Bar Support	-	1	-	-
	37	0031-B166-0A	Ring Assembly	-	1	-	-
	38	40S51	Pan Bow Nuts	-	2	-	-
	39	6013-0378	Wing Nut 5/16-18	-	2	-	-
	40	0031-B041-08	"S" Hook 1/4" Dia.	1	1	1	1
MEAT HOOK COMMODITY.....	41*	11S1034	Meat Hook	1	1	1	1

* Not shown

PARTS LIST FOR 25 kg HANGING SCALES

ITEM	PART NUMBER	DESCRIPTION	MCS-25KGX	
			MCS-25KGDY	MCS-25KGDY
1	0044-C125-08	Lens	1	2
2	0044-D129-08	Sash Ring Half "Symmetrical"	2	2
3	31S12X	Pointer Assembly	1	2
4	0031-B041-08	"S" Hook 1/4" Dia.	1	1
5		Dial Charts		
	0031-C074-08	25 kg Per Rev R.H.	1	1
	0031-C104-08	25 kg Per Rev L.H.	-	1
6	26S1427X	25 kg Springs	2	2
7	0031-B006-08	Rack	1	1
8	0031-B003-08	Pinion	1	1
9	6022-0015	Rack Tension Spring	1	1
10	6022-0014	Zero Adjust Spring	1	1
11	0031-B004-48	Runner Blank	1	1
12	0031-B007-08	Rack Bushing	1	1
13	0031-C001-08	Base Plate	1	1
14	0031-B005-58	Slide Blank	1	1
15	0031-C015-08	Back Cover (Single Dial Scales)	1	-
16	0031-C002-08	Pinion Bracket	1	1
17	0031-B008-08	Sash Bracket	1	1
18	0031-B014-08	Spacer	2	-
19	6021-0838	Truss Head Scw #8-32 x 1/2"	2	-
20	6021-0845	Truss Head Scw #8-32 x 1/4"	2	4
21	6024-0032	Lock Washer #8	4	2
22	6024-1000	Internal Tooth Washer #8	4	6
23	6021-0792	Flat Head Scw #8-32 x 3/4"	1	1
24	6021-0831	Truss Head Scw #8-32 x 3/8"	1	1
25	6013-0255	Hex Nut #8-32	3	3
26	6021-1843	Pan Head Scw #8-32 x 3/16"	2	2
27*	6021-0868	Flat Head Scw #8-32 x 1/2"	6	6
28*	0031-B042-08	Base Plate Brace	1	1
41*	0031-B079-08	Unload Sticker	1	1

* Not shown

PARTS LIST FOR COMMODITY ATTACHMENTS

ITEM	PART NUMBER	DESCRIPTION	X = N		
			X = MT	X = MT	
	40	0031-B041-08	"S" Hook 1/4" Dia.	1	1
MEAT HOOK COMMODITY.....	41*	11S1034	Meat Hook	1	1
	42*	6550	Pants, Waterproof	-	2

* Not shown

PARTS LIST FOR lb/kg HANGING SCALES

<u>ITEM</u>	<u>PART NUMBER</u>	<u>DESCRIPTION</u>	<u>MCS-10PRDX</u>
1	0044-C125-08	Lens	2
2	0044-D129-08	Sash Ring Half "Symmetrical"	2
3	31S12X	Pointer Assembly	2
4	1S34	"S" Hook 3/16" Dia.	1
5		Dial Charts	
	0031-C131-08	10 lb, 4.5 kg Per Rev R.H.	1
	0031-C131-18	10 lb, 4.5 kg Per Rev L.H.	1
6	26S132X	20 lb Springs	2
7	0031-B006-08	Rack	1
8	0031-B003-08	Pinion	1
9	6022-0015	Rack Tension Spring	1
10	6022-0014	Zero Adjust Spring	1
11	0031-B004-48	Runner Blank	1
12	0031-B007-08	Rack Bushing	1
13	0031-C001-08	Base Plate	1
14	0031-B005-58	Slide Blank	1
15			
16	0031-C002-08	Pinion Bracket	1
17	0031-B008-08	Sash Bracket	1
18			
19			
20	6021-0845	Truss Head Scw #8-32 x 1/4"	4
21	6024-0032	Lock Washer #8	2
22	6024-1000	Internal Tooth Washer #8	6
23	6021-0792	Flat Head Scw #8-32 x 3/4"	1
24	6021-0831	Truss Head Scw #8-32 x 3/8"	1
25	6013-0255	Hex Nut #8-32	2
26	6021-1843	Pan Head Scw #8-32 x 3/16"	2
27*	6021-0868	Flat Head Scw #8-32 x 1/2"	6

* Not shown

PARTS LIST FOR COMMODITY ATTACHMENTS

<u>ITEM</u>	<u>PART NUMBER</u>	<u>DESCRIPTION</u>	<u>X=B</u>	<u>X=F</u>	<u>X=H</u>	<u>X=P</u>	
BUTCHER PAN COMMODITY.....	31	26S35X	Butcher Pan	1	-	-	-
	32	26S37X	Bow Assembly	1	-	-	-
VEGETABLE SCOOP COMODITY.....	33	6S48	Vegetable Scoop	-	-	-	1
	34	6S148X	Chain Assembly	-	-	-	1
FISH PAN COMMODITY.....	35	0031-C163-08	Fish Pan	-	1	-	-
	36	0031-C167-08	Bar Support	-	1	-	-
	37	0031-B166-0A	Ring Assembly	-	1	-	-
	38	40S51	Pan Bow Nuts	-	2	-	-
	39	6013-0378	Wing Nut 5/16-18	-	2	-	-
	40	0031-B041-08	"S" Hook 1/4" Dia.	1	1	1	1
MEAT HOOK COMMODITY.....	41*	11S1034	Meat Hook	-	-	1	-

* Not shown

PARTS LIST FOR SPECIAL HANGING SCALES

ITEM	PART NUMBER	DESCRIPTION					
			MCS-45-05J	MCS-60H	MCS-60M	MCS-25KGM	MCS-40M
1		Lens					
	0044-C125-08	Lens	1	1	-	-	-
	0031-C125-18	Utility Scale Lens	-	-	1	1	1
2	0044-D129-08	Sash Ring Half "Symmetrical"	2	2	2	2	2
3		Pointer Assembly					
	31S12X	Pointer Assembly	1	1	1	1	1
	0031-B073-0A	Adjustable Pointer Assembly	-	-	1	1	1
	2M106X	Pointer Assembly	-	-	-	-	-
4		"S" Hook					
	1S34	3/16" Dia.	-	-	-	-	-
	0031-B041-08	1/4" Dia.	1	1	1	1	1
5		Dial Charts					
	0031-C091-08	55 lb Per Rev R.H.	-	-	-	-	-
	0031-C066-08	60 lb Per Rev. R.H.	-	1	1	-	-
	0031-C074-08	25 kg Per Rev R.H.	-	-	-	1	-
	431S26	Customer Supplied Dial Chart	-	-	-	-	-
	0031-B109-08	MCS-4RWE Dial Chart	-	-	-	-	-
	0031-B102-08	Customer Supplied Dial Chart	-	-	-	-	-
	0031-C140-08	Osborne	1	-	-	-	-
	0031-C016-08	Dial Blank	-	-	-	-	1
	6		Spring Assemblies				
26S1427X		55 lb Springs	-	-	-	2	-
26S59X		60 lb Springs	2	2	2	-	-
431S41X		Spring Assembly	-	-	-	-	-
26S131X		Spring Assembly	-	-	-	-	2
7	0031-B006-08	Rack	1	1	1	1	-
8		Pinion					
	0031-B003-08	Pinion	1	1	-	-	-
	0031-B071-08	Utility Scale Pinion	-	-	1	1	1
	0031-B099-08	MCS-4KVS Pinion	-	-	-	-	-
9	6022-0015	Rack Tension Spring	1	1	1	1	-
10	6022-0014	Zero Adjust Spring	1	1	1	1	-
11	0031-B004-48	Runner Blank	1	1	1	1	1
12	0031-B007-08	Rack Bushing	1	1	1	1	-
13	0031-C001-08	Base Plate	1	1	1	1	1
14		Slide					
	0031-B005-58	Slide Blank	-	-	-	1	-
	0031-B005-48	60 lb/kg	1	1	1	-	-
15		Back Cover					
	0031-C015-08	Back Cover (Single Dial Scales)	1	1	1	1	1
	0031-C098-08	KVS Back Cover	-	-	-	-	-
16	0031-C002-08	Pinion Bracket	1	1	1	1	1
17	0031-B008-08	Sash Bracket	1	1	1	1	1
18	0031-B014-08	Spacer	2	2	2	2	2
19	6021-0838	Truss Head Scw #8-32 x 1/2"	2	2	2	2	2
20	6021-0845	Truss Head Scw #8-32 x 1/4"	2	2	2	2	2
21	6024-0032	Lock Washer #8	4	4	4	4	4
22	6024-1000	Internal Tooth Washer #8	4	4	4	4	4
23	6021-0792	Flat Head Scw #8-32 x 3/4"	1	1	1	1	-
24	6021-0831	Truss Head Scw #8-32 x 3/8"	1	1	1	1	-
25	6013-0255	Hex Nut #8-32	3	3	3	3	2
26	6021-1843	Pan Head Scw #8-32 x 3/16"	2	2	2	2	2
27*	6021-0868	Flat Head Scw #8-32 x 1/2"	6	6	6	6	6
28*	0031-B042-08	Base Plate Brace	1	1	1	1	1
29*	11S1034	Meat Hook	-	1	1	1	1
30*	6S50	Pants, Waterproof	-	-	-	-	-
31*	26S57	Knob	-	-	1	1	1
41*	0031-B079-08	Unload Sticker	-	-	-	1	-
42*	0031-B095-08	Bezel Spring Clip	-	-	-	-	-
43*	0031-B096-08	Chart Clip	-	-	-	-	-
44*	0031-C093-0A	Dial Back Assembly	-	-	-	-	-
45*	0044-C204-08	Bezel Ring	-	-	-	-	-
46*	650RC15	Flat Washer	-	-	-	-	-
47*	650RC17	Flat Washer	-	-	-	-	-

PARTS LIST FOR SPECIAL HANGING SCALES

ITEM	PART NUMBER	DESCRIPTION			
			MCS-4KVS	MCS-4RWE	MCS-4SPR
1		Lens			
	0044-C125-08	Lens	1	1	1
	0031-C125-18	Utility Scale Lens	-	-	-
2	0044-D129-08	Sash Ring Half "Symmetrical"	2	2	2
3		Pointer Assembly			
	31S12X	Pointer Assembly	-	-	-
	0031-B073-0A	Adjustable Pointer Assembly	-	-	-
	2M106X	Pointer Assembly	1	1	1
4		"S" Hook			
	1S34	3/16" Dia.	2	2	2
	0031-B041-08	1/4" Dia.	-	-	-
5		Dial Charts			
	0031-C091-08	55 lb Per Rev R.H.	-	-	-
	0031-C066-08	60 lb Per Rev. R.H.	-	-	-
	0031-C074-08	25 kg Per Rev R.H.	-	-	-
	431S26	Customer Supplied Dial Chart	1	-	1
	0031-B109-08	MCS-4RWE Dial Chart	-	1	-
	0031-B102-08	Customer Supplied Dial Chart	-	-	-
	0031-C140-08	Osborne	-	-	-
	0031-C016-08	Dial Blank	-	-	-
6		Spring Assemblies			
	26S1427X	55 lb Springs	-	-	-
	26S59X	60 lb Springs	-	-	-
	431S41X	Spring Assembly	2	2	2
	26S131X	Spring Assembly	-	-	-
7	0031-B006-08	Rack	1	1	1
8		Pinion			
	0031-B003-08	Pinion	-	-	-
	0031-B071-08	Utility Scale Pinion	-	-	-
	0031-B099-08	MCS-4KVS Pinion	1	1	1
9	6022-0015	Rack Tension Spring	1	1	1
10	6022-0014	Zero Adjust Spring	1	1	1
11	0031-B004-48	Runner Blank	1	1	1
12	0031-B007-08	Rack Bushing	1	1	1
13	0031-C001-08	Base Plate	1	1	1
14		Slide			
	0031-B005-58	Slide Blank	1	1	1
	0031-B005-48	60 lb/kg	-	-	-
15		Back Cover			
	0031-C015-08	Back Cover (Single Dial Scales)	-	-	-
	0031-C098-08	KVS Back Cover	1	1	1
16	0031-C002-08	Pinion Bracket	1	1	1
17	0031-B008-08	Sash Bracket	1	1	1
18	0031-B014-08	Spacer	2	2	2
19	6021-0838	Truss Head Scw #8-32 x 1/2"	2	2	2
20	6021-0845	Truss Head Scw #8-32 x 1/4"	2	2	2
21	6024-0032	Lock Washer #8	4	4	4
22	6024-1000	Internal Tooth Washer #8	2	2	2
23	6021-0792	Flat Head Scw #8-32 x 3/4"	1	1	1
24	6021-0831	Truss Head Scw #8-32 x 3/8"	1	1	1
25	6013-0255	Hex Nut #8-32	3	3	3
26	6021-1843	Pan Head Scw #8-32 x 3/16"	2	2	2
27*	6021-0868	Flat Head Scw #8-32 x 1/2"	8	8	8
28*	0031-B042-08	Base Plate Brace	-	-	-
29*	11S1034	Meat Hook	-	-	-
30*	6S50	Pants, Waterproof	-	-	-
31*	26S57	Knob	-	-	-
41*	0031-B079-08	Unload Sticker	-	-	-
42*	0031-B095-08	Bezel Spring Clip	2	2	2
43*	0031-B096-08	Chart Clip	4	4	4
44*	0031-C093-0A	Dial Back Assembly	1	1	1
45*	0044-C204-08	Bezel Ring	1	1	1
46*	650RC15	Flat Washer	2	2	2
47*	650RC17	Flat Washer	2	2	2

