



**DIGITAL LOW PROFILE
WHEELCHAIR SCALE
6495
Setup Procedure**

6495 Scale Assembly Instructions

Refer to figures 1, 2, 3, and 4 then follow the instructions below for scale assembly.

1. Remove all packing material.
2. Set scale base on flat, level surface. Slide ramp pins in T-Slot on base, drop pins into groove.
3. Remove 4 (1/4-20) screws from column bracket (A1). Set aside.
4. Set column (B) onto column bracket (A1). See figure no.1. Be sure back (wide side) of column is facing scale deck. Secure column with 4 (1/4-20) screws (step 3). Do not tighten screws.
5. Hook end of shock absorber and draft rod assembly to one end of the load cell assembly (C). See figure no. 3. Note: Handle load cell assembly with care! Do not drop, bend or twist.
6. Slide grommet away from load cell assembly and slide into slot on column. Note: Slot should be on back side of column (wide side).
7. Lower the load cell assembly, shock absorber and draft rod assembly into the column. Hanger must pass through opening in column bracket. (Note: Position of hanger [B1].)
8. Fasten the top hook bolt of the load cell assembly (C) to the column (B). (Note: Load cell assembly should not touch sides of column.)
9. If available, place the scale on a table or workbench, otherwise place the scale on floor. In either case, **DO NOT** tilt or place scale on it's side. Next, push bottom of hanger (B1) back towards scale weighbridge (A), lift long lever and nose iron (A2) up then slide hanger (B1) under nose iron pivot (A3). See figure no. 2. After hanger is attached, tighten 4 (1/4-20) screws. See figure no. 1 for column (B) mounting.
10. Pull excess load cell cable in the column leaving enough slack in the cable so as not to have any side pull on load cell.
11. Attach digital indicator and mounting bracket to column with 2 (#10-32) button head screws and lock washers. See figure no. 4.
12. To attach handrail (D), remove 2 (3/8-16) screws from top of weighbridge side. Set handrail on weighbridge side, align holes, reinstall 2 (3/8-16) screws and tighten.
13. Check the scale platform for ease of movement. If platform does not move freely, check all mechanical connections.
14. Refer to the included indicator manual, for indicator setup and operating instructions.
15. Scale should now be ready for operation.

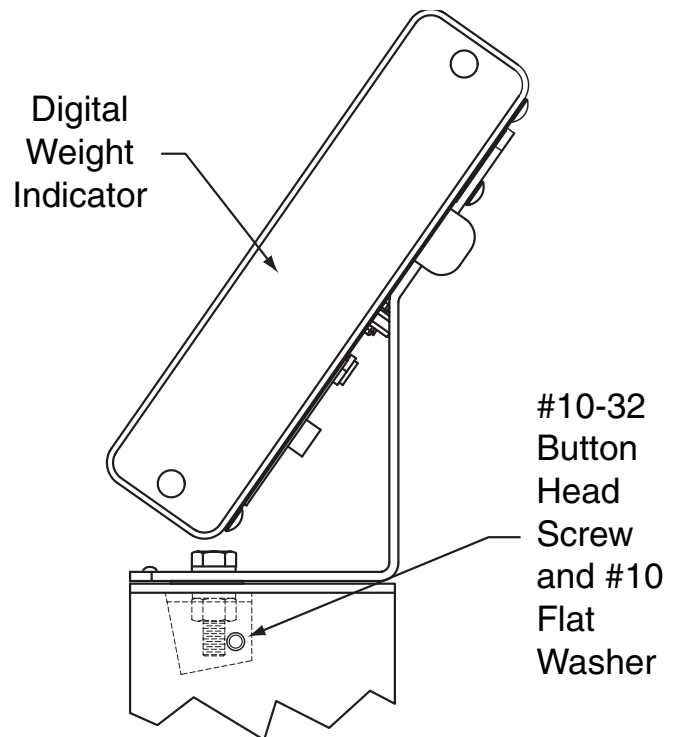


Figure No. 4

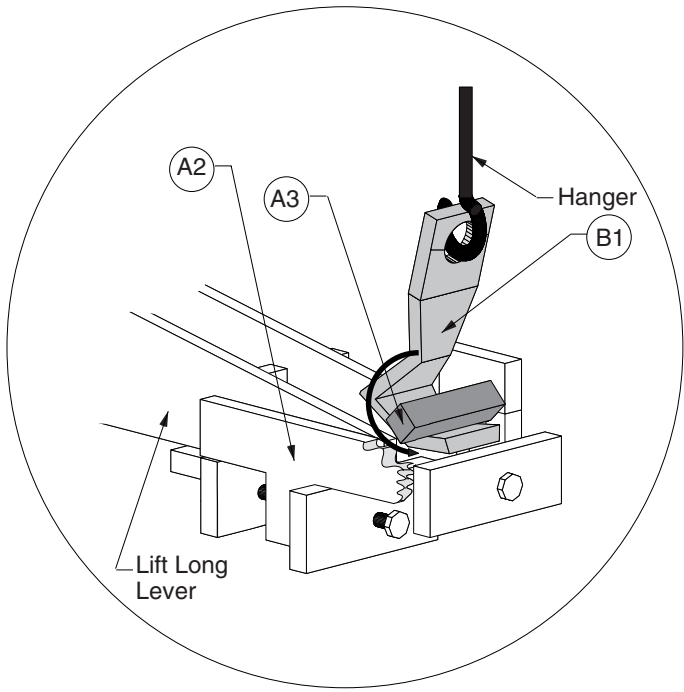


Figure No. 2

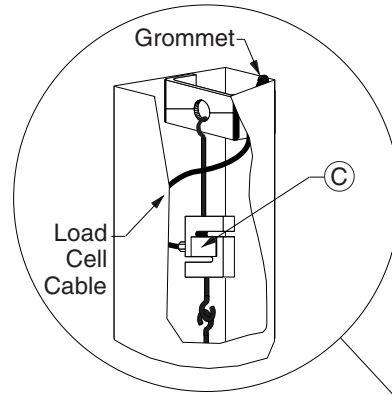


Figure No. 3

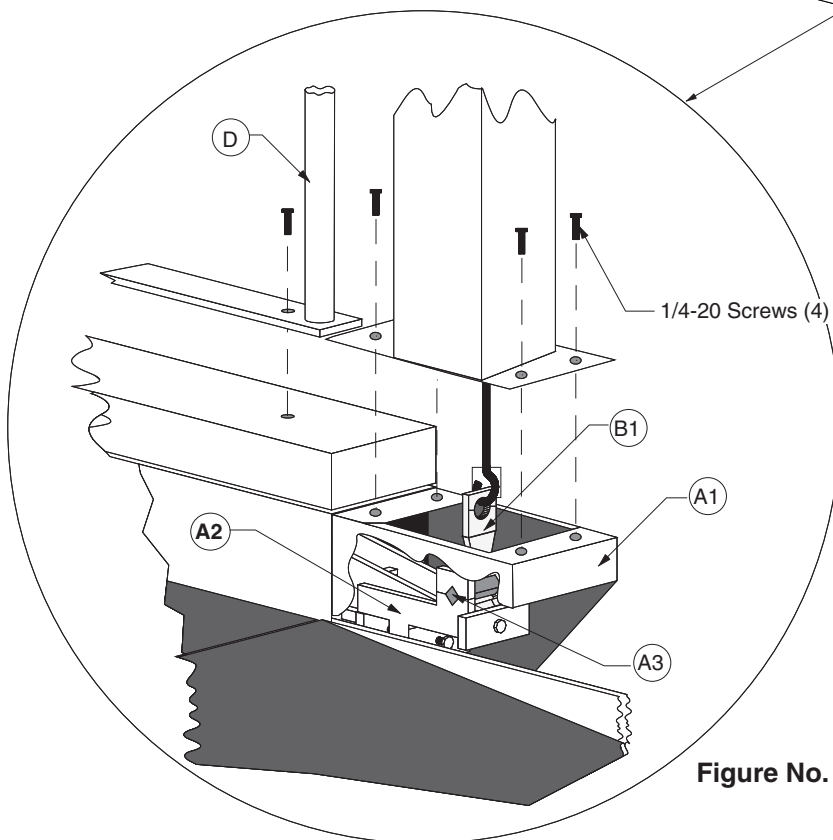
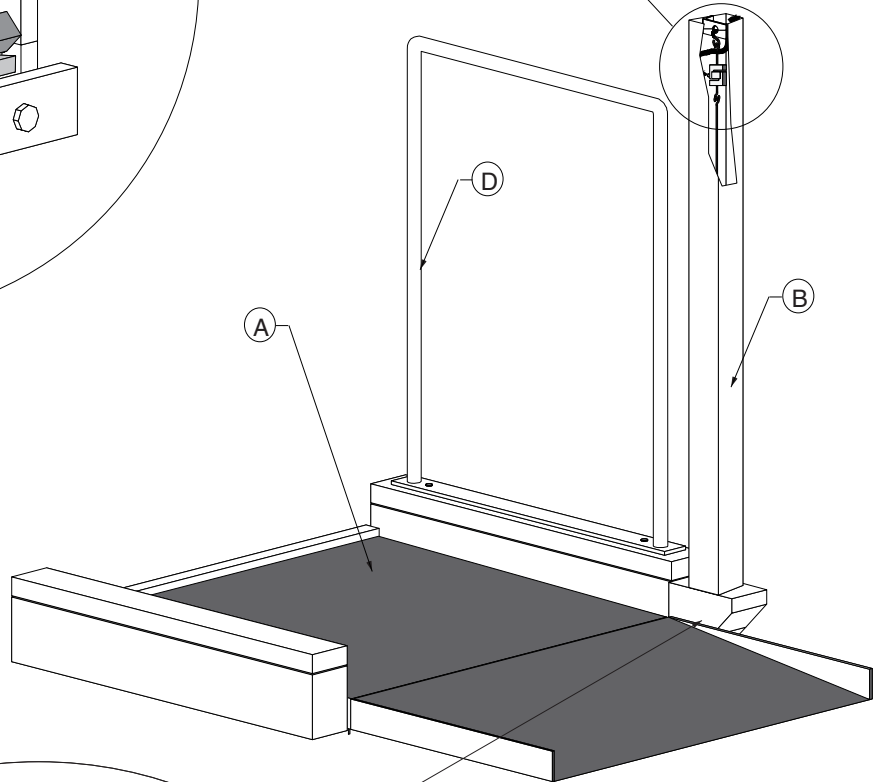


Figure No. 1

