

# Brecknell

## MS-1000-LCD

### Wheelchair Scale



MS-1000-LCD Wheelchair Scale is ideal for any busy medical centers where the patient's weight needs to be regularly taken and monitored.

This low profile, robust, easy-to-clean patient & wheelchair platform has been specially designed to remain low to the ground with a gradual 9% entry and exit ramp. Provides a safe and easy way to push patients in wheelchairs on and off the scale.

Also, fitted with a fixed stainless steel handrail to help support any unbalanced patient. The weight indicator is easily viewable by both patient and consultant.

This weight indicator comes with a large, easy-to-read LCD backlit display. Ideal for viewing in all lighting conditions.



#### Accuracy

Within 0.1%



#### Capacity

1000 lb x 0.5 lb / 500 kg x 0.2 kg



#### Power

AC adapter (included) or six AA batteries (not included)



#### Display

Large, easy-to-read 6 digit 1.5" / 38 mm high digit LCD with backlight



#### Construction

Powder coated rugged steel with smooth top plate surface and two handles and wheels for relocating the scale. Built-in ramp ends to aid wheelchair access. ABS plastic indicator.



#### Operator Keys

On/Off/Zero, Tare, Unit, BMI, Print, Hold

VALUE IN  
WEIGHING

# MS-1000-LCD Wheelchair Scale

## SBI 210 Indicator Specifications

**Capacity:** 1000 lb x 0.5 lb / 500 kg x 0.2 kg

**Construction:** White robust ABS housing

**Load Cells:** Ideal for leveling the scale when used on an uneven floor. Four load cell platform with anti slip adjustable feet. Ideal for leveling the scale when used on an uneven floor.

**Indicator Mounting:** Comes standard with indicator mounting clamps for quickly attaching the indicator to the vertical or horizontal handrail

**Units:** lb, oz, lb/oz, kg

**Display:** Large, easy-to-read 6 digit 1.5" / 38 mm high digit LCD with backlight

**Function Keys:** On/Off/Zero, Tare, Unit, BMI, Print, Hold

**Scales Functionality:** This scale is designed to be easy and simple to use. With basic key functions, from unit switching to hold to 100% tare for removing the weight of any wheelchair.

**Calibration:** Front panel calibration with up to three linear points if needed (scale comes already calibrated)

**Power:** Comes standard with an AC external 110V to 240V power adapter with interchangeable USA plug end (included) or six AA batteries (not included)

**Battery Life:** Approximately 24 hours with backlight or 37 hours with no backlight

**Built-in Power Saving Features:** Subject to how the scale is to be used, there are a number of ways to prolong the battery life of this scale. From turning off the backlight to setting the auto off to engage when the scale is not in use.

**Communication:**

One RS-232 full duplex (9 way D type)

One USA -VCP (USB type A)

**Calibration:** Front panel calibration

**Indicator Packing:** Comes packed within the base packing box

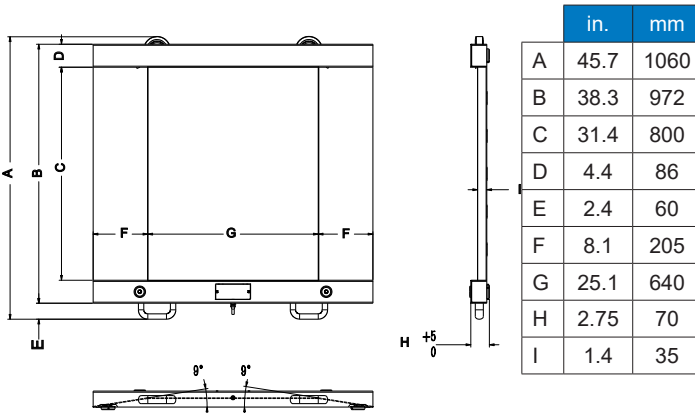
**Operating Temperature:** 41° F to 95° F / 5° C to 35° C

## MS-1000-LCD Floor Specifications

**Construction:** Mild steel base construction power coated white with a stainless steel handrail and side wheels for scale portability and relocation

**Overload Capacity:** Capable of withstanding 150% capacity of weight without damaging the scale

**Product Dimension:**



**Ramp:** Designed with built-in 9 degree gradual angle to make entry and exit safe and easy

**Guard Rail Dimension (L x W x H):**

47.6" x 47.25" x 6.9" / 210 mm x 1200 mm 175 mm

**Product Weight:** 106 lb / 48 kg

**Packaging Dimension (L x W x H):**

47.6" x 47.25" x 6.9" / 210 mm x 1200 mm x 175 mm

**Shipping Weight:** 110 lb / 50 kg

**Packaging Contents:** MS-1000-LCD platform, guard/handrail, indicator, power supply with US plug and indicator mounting brackets

**Brecknell**

[www.brecknellscales.com](http://www.brecknellscales.com)

[www.brecknellscales.co.uk](http://www.brecknellscales.co.uk)



Brecknell is part of Avery Weigh-Tronix. Avery Weigh-Tronix is a trademark of Illinois Tool Works group of companies whose ultimate parent company is Illinois Tool Works Inc ("Illinois Tool Works"). Copyright © 2021 Illinois Tool Works. All rights reserved. This publication is issued to provide outline information only and may not be regarded as a representation relating to the products or services concerned. This publication was correct at the time of going to print, however Avery Weigh-Tronix reserves the right to alter without notice the specification, design, price or conditions of supply of any product or service at any time.

Part of Avery Weigh-Tronix

MS-1000-LCD\_L\_100067.indd  
V1 AWT35-100067