

Bench And Floor Scales



GFK



CBK



GBK

Adam Equipment's bench and floor scales provide a wide range of capabilities at affordable prices. Choose the GFK for high capacities and the largest weighing platforms, or the GBK for capacities up to 260lb/120kg. The CBK is the right choice when you need a compact bench scale with capacities up to 100lb/48kg. They all feature Adam's brilliant industrial display with capacity tracker, check weighing indicators, and a full numeric keypad.

All Adam bench and floor scales offer a variety of built in weighing applications including dynamic/animal weighing, parts counting, percentage weighing, check weighing, and check counting. Rechargeable battery and AC operation, RS-232 interface, and automatic weight accumulation are just some of the standard features that make Adam bench and floor scales an outstanding value.

With nearly 40 years of experience in the production of industrial scales and balances, Adam supports its customers with top rate service to achieve the best possible customer satisfaction. Adam Equipment offers the perfect balance of dependability and performance with every product we produce.



BE ADAM[®]
PERFECT BALANCE
Speed, Performance, Value

Highlights:

The large backlit display with capacity tracker is easy-to-read and shows how much weighing range is left when using the tare function, ensuring that you do not overload the scale.

Amber, green and red LED indicators for easy recognition of underweight, overweight and acceptable limits make check weighing applications quick and simple. Multiple LED's for each color can be programmed to turn on together to quickly indicate over/under weights, or in sequence for a more detailed indication.

A full numeric keypad allows for preset tare functions and freely selectable sample size in the counting mode. The keypad and functions can be locked out by a supervisor to prevent unauthorized tampering with scale settings.

Sending information to printers and computers is easy with the bi-directional RS-232 interface with date and time, providing easy data recording and traceability to increase productivity.

Applications

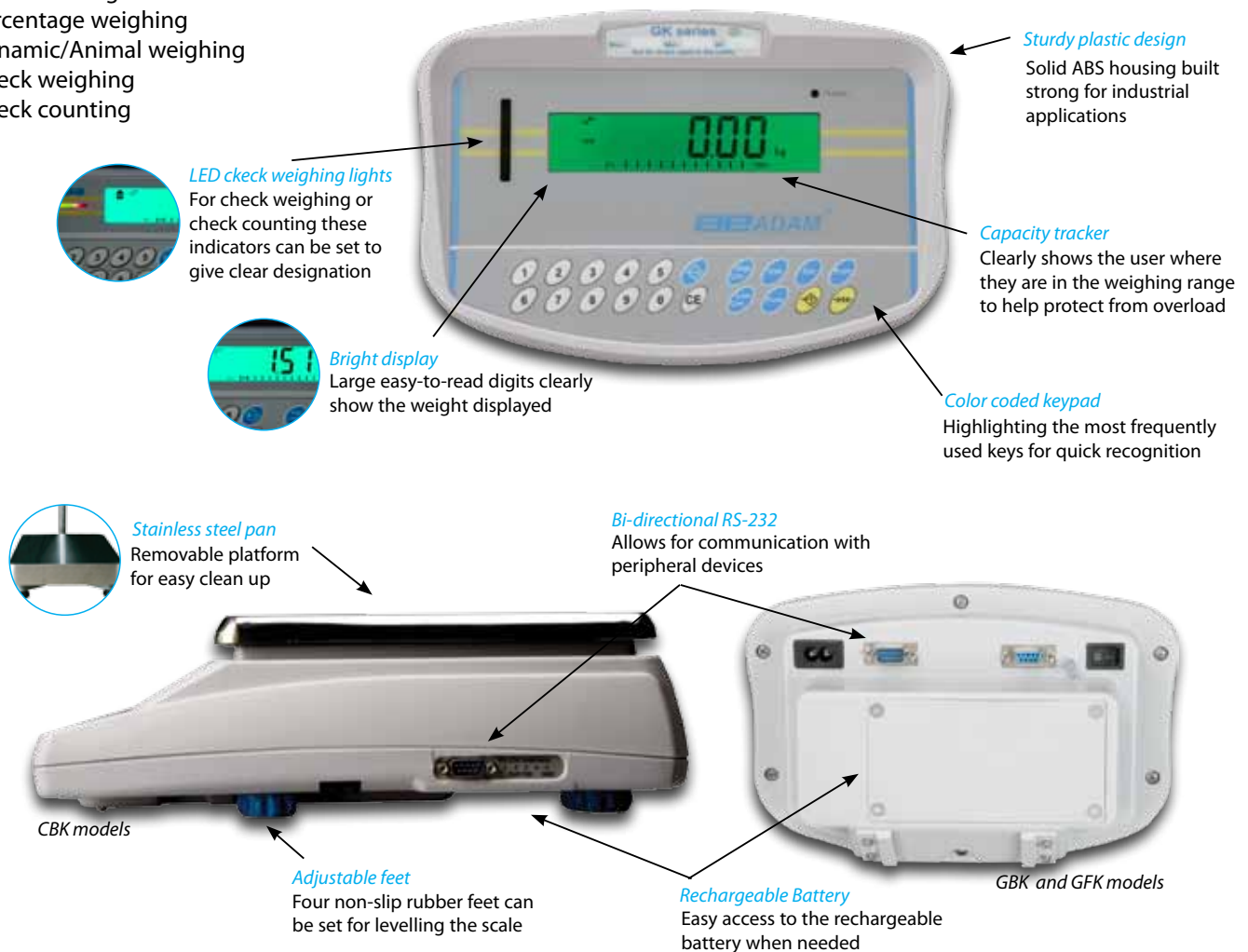
- Weighing
- Parts counting
- Percentage weighing
- Dynamic/Animal weighing
- Check weighing
- Check counting

General Features

- Full range tare lets you tare throughout the weighing range
- Solid removable stainless steel pan makes for easy cleaning and can withstand industrial applications.
- Bi-directional RS-232 output for connection to computers and printers standard on every model.
- Rechargeable battery means that these units can be used anywhere even in industrial warehouses where power might not be readily available. Selectable auto power off saves battery life.
- Large backlit LCD display with capacity tracker is easy to view and gives you everything you need in one place.
- Parts counting with freely selectable sample sizes.
- Check weighing LED lights to show acceptable limits.
- Automatic accumulation, for adding totals for every weight reading.
- For accurate readings adjustable feet and level bubble let you level your scale for optimal performance.

GBK and GFK Features

- Adjustable pillar mounted indicator can be rotated and angled for the ideal viewing position.
- Indicator can be mounted on the included pillar or optional wall mount bracket



The GFK features the largest platforms and highest capacities in this range



Warehousing, production, and testing applications are a breeze the GFK scales. The indicator can be installed on the pillar (included), wall or bench as needed. With solid base construction with adjustable feet, and an overall height of 34"/860mm, the GFK can be used in a range of environments.

The GFK is the right choice for your floor weighing applications with better readabilities and capacity combinations than the competitive products in this range



GFK

The GBK offers floor scale or bench scale weighing in one package

Artful design and superior performance are embodied in the GBK for the ultimate bench/floor scale. The GBK can be used with or without the pillar for complete operating flexibility, and combined with a mid-sized stainless steel platform they are an exceptional value.

Dynamic weighing, check weighing, parts counting, percentage weighing or basic weighing are performed effortlessly with the smart software and color coded keypad.



GBK

The CBK offers a full range of features in a compact and rugged bench scale



The sleek case design resists dirt and dust build-up with easy-to-clean surfaces and smooth contours. With a range of capacities and better readabilities than many others in its class, the CBK offers unmatched quality and versatility.

Whether check-weighing, parts counting or basic weighing the CBK offers the speed and function needed by any professional.



CBK

Technical Specifications

Model	GFK 165a	GFK 165aH	GFK 330a	GFK 330aH	GFK 660a	GFK 1320a
Capacity	165lb / 75kg	165lb / 75kg	330lb / 150kg	330lb / 150kg	660lb / 300kg	1320lb / 600kg
Readability	0.01lb / 5g	0.002lb / 1g	0.02lb / 10g	0.005lb / 2g	0.05lb / 20g	0.1lb / 50g
Repeatability (S.D.)	0.01lb / 5g	0.004lb / 2g	0.02lb / 10g	0.01lb / 4g	0.05lb / 20g	0.1lb / 50g
Linearity (+/-)	0.02lb / 10g	0.006lb / 3g	0.04lb / 20g	0.015lb / 6g	0.1lb / 40g	0.2lb / 100g
Pan Size	15.7" x 19.7" / 400 x 500mm					23.6" x 31.5" / 600 x 800mm
Overall Dimensions (WxDxH)	15.7" x 24.4" x 33.9" / 400 x 620 x 860mm					23.6" x 36.4" x 35" / 600 x 925 x 890mm
Net Weight	27.6lb / 12.5kg					52.9lb / 24kg

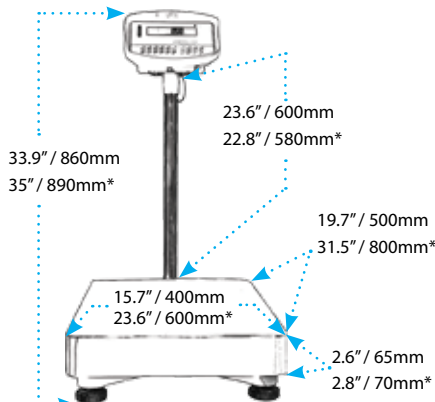
Model	GBK 16a	GBK 35a	GBK 70a	GBK 130a	GBK 260a
Capacity	16lb / 8kg	35lb / 16kg	70lb / 32kg	130lb / 60kg	260lb / 120kg
Readability	0.0002lb / 0.1g	0.001lb / 0.5g	0.002lb / 1g	0.005lb / 2g	0.01lb / 5g
Repeatability (S.D.)	0.0004lb / 0.2g	0.002lb / 1g	0.004lb / 2g	0.01lb / 4g	0.02lb / 10g
Linearity (+/-)	0.0006lb / 0.3g	0.002lb / 1g	0.004lb / 2g	0.01lb / 4g	0.02lb / 10g
Pan Size	11.8" x 15.7" / 300 x 400mm				
Overall Dimensions (WxDxH)	11.8" x 20.5" x 26.8" / 300 x 520 x 680mm				
Net Weight	16.31lb / 7.4kg				

Model	CBK 8a	CBK 16aH	CBK 16a	CBK 35a	CBK 70a	CBK 100a
Capacity	8lb / 4000g	16lb / 8000g	16lb / 8000g	35lb / 16kg	70lb / 32kg	100lb / 48kg
Readability	0.0002lb / 0.1g	0.0002lb / 0.1g	0.0005lb / 0.2g	0.001lb / 0.5g	0.002lb / 1g	0.005lb / 2g
Repeatability (S.D.)	0.0002lb / 0.1g	0.0002lb / 0.1g	0.0005lb / 0.2g	0.001lb / 0.5g	0.002lb / 1g	0.005lb / 2g
Linearity (+/-)	0.0004lb / 0.2g	0.0004lb / 0.2g	0.001lb / 0.4g	0.002lb / 1g	0.004lb / 2g	0.001lb / 4g
Pan Size	8.9" x 10.8" / 225 x 275mm					
Overall Dimensions (WxDxH)	12.4" x 14" x 4.3" / 315 x 355 x 110mm					
Net Weight	9.9lb / 4.5kg					

General Features

Weighing Units	Pounds (lb), Kilograms (kg), Grams (g), Ounce (oz), Pound-Ounce (lb:oz)
Modes	Weighing, Parts counting, Check weighing, Percentage weighing, Check Counting, Dynamic/ Animal weighing ¹
Stabilization Time	2-3 secs
Calibration	Automatic External
Interface	Bi-directional RS-232 with data and time
Display	Backlit Green display with 1" / 20mm digits and capacity tracker
Power Supply	12VDC 800mA adapter
Battery	Internal rechargeable battery up to 90 hours of use
Operating Temperature	32°F to 104°F / 0°C to 40°C
Construction	Casing: ABS Plastic Top Pan: Stainless steel pan

¹ Dynamic / Animal weighing not available on CBK series

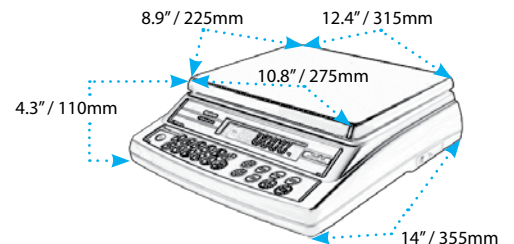


*Model 1320a

GFK



GBK



CBK