

I N S T R U C T I O N S

Adjustable Transfer Bench

Item 727142601

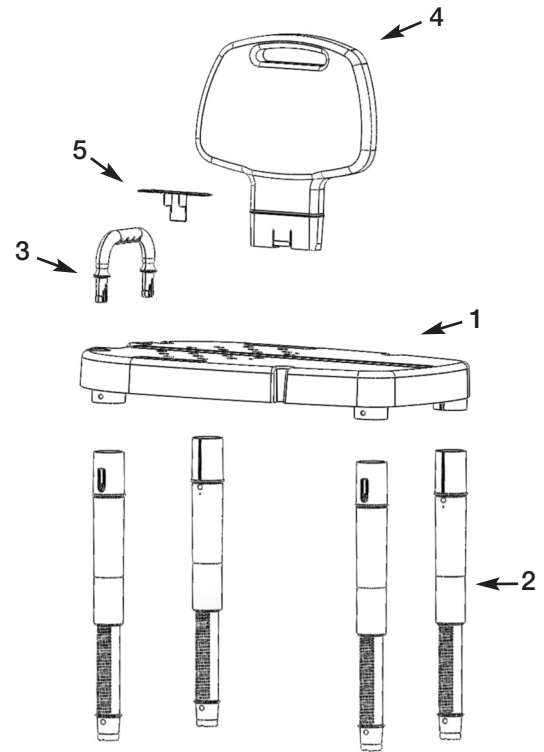
Note: Before assembly, ensure that all parts and quantities match the parts list. Inspect all components for shipping damage. If any parts are missing or damaged, contact your dealer/retailer for replacements.

Parts List:

- (1) Bench Top – 1 each
- (2) Legs – 4 each
- (3) Hand Grip - 1 each
- (4) Backrest – 1 each
- (5) Plastic Insert for Bench Top – 1 each

To Assemble:

1. Place bench top (1) upside down on a flat surface. Insert leg (2) into cylindrical socket at the corner of the bench top (1). Make sure the rib on the leg lines up with the channel in the socket. Push the leg into the socket making sure that the push button on the leg is fully through the hole in the socket. Repeat with the remaining three legs.
2. Stand the bench upright and insert the hand grip (3) into the holes on the side of the bench top (1).
3. There are two slots on either side of the bench top (1). Determine which way the bench will be facing and insert the backrest (4) into the slot at the rear of the seat.
4. Place plastic insert (5) into the slot opposite the backrest and push down until locked in place.



To Adjust the Legs:

There are number indicators on each leg to help set the legs to a uniform height.

1. Turn leg extender $\frac{1}{4}$ turn to the left.
2. Slide leg up or down until you reach the desired height.
3. Turn leg extender $\frac{1}{4}$ turn to the right making sure it is fully engaged.

Note: The legs adjust in $\frac{1}{4}$ " intervals. Not all floor surfaces are level and fine tuning of each leg may be necessary.

To Disassemble:

To remove the backrest: Depress the lock tab located on the bottom of the backrest and pull backrest out of the slot.
To remove the hand grip: Pinch together the tabs on the hand grip from the underside of the bench top and pull handle out.
To remove legs: Press the release button while simultaneously pulling the leg out from the cylindrical socket.

Care and Maintenance:

Clean with warm water and a mild household cleaner. Do not use an abrasive cleaner.
Periodically inspect all components for damage.
Periodically inspect product to make sure components have not loosened and are in the proper position.

Warning:

Do not use this product without first reading and understanding the instruction sheet. Otherwise, injury or damage may occur. Do not stand on the transfer bench for any reason. Weight capacity: 400 lbs. (182 kg).



661 Route 23 South • Wayne, NJ 07470