



ThermScan

*Perfect for Hotels, Restaurants, Assisted Living Facilities,
Schools, Warehouses, Airports.*

Available on the MHA, Navigator and AHP Contracts



SecurityTronix ThermScan

Wall Mounted Non-Contact Forehead Thermometer

- The SecurityTronix ThermScan™ accurately and instantly detects temperatures by scanning the forehead and alerts by alarm if an elevated temperature is detected.



SecurityTronix ThermScan

Wall Mounted Non-Contact Forehead Thermometer

- The intent is not to diagnose, but to raise awareness so people can get a proper assessment before fully entering the business..



SecurityTronix ThermScan

Wall Mounted Non-Contact Forehead Thermometer

- ThermScan is an easy sale to your existing customers. Load 10 on your truck and visit your commercial customers to quickly get them compliant with temperature screening at their place of business.



SecurityTronix ThermScan

Wall Mounted Non-Contact Forehead Thermometer

- Lower costing than thermal cameras
- Quick and easy to install
- Contactless
- Quick automatic measurement



SecurityTronix ThermScan

Wall Mounted Non-Contact Forehead Thermometer

- Highly accurate
- Alarm function
- Reduces usage of PPE for manual scanning
- Cost-effective, even for small businesses





**Eliminates the expense of an employee
with a hand-held device**

Primary Applications



Restaurants & Bars



Stores



Office Buildings

SecurityTronix ThermScan

Features

- Detects surface temperature without any contact
- Quickly detects surface temperature in less than
- 1 second response time
- Alarm alerts if surface temperature detected is higher than 99°F (37.3°C)
- Digital display



SecurityTronix ThermScan

Specifications

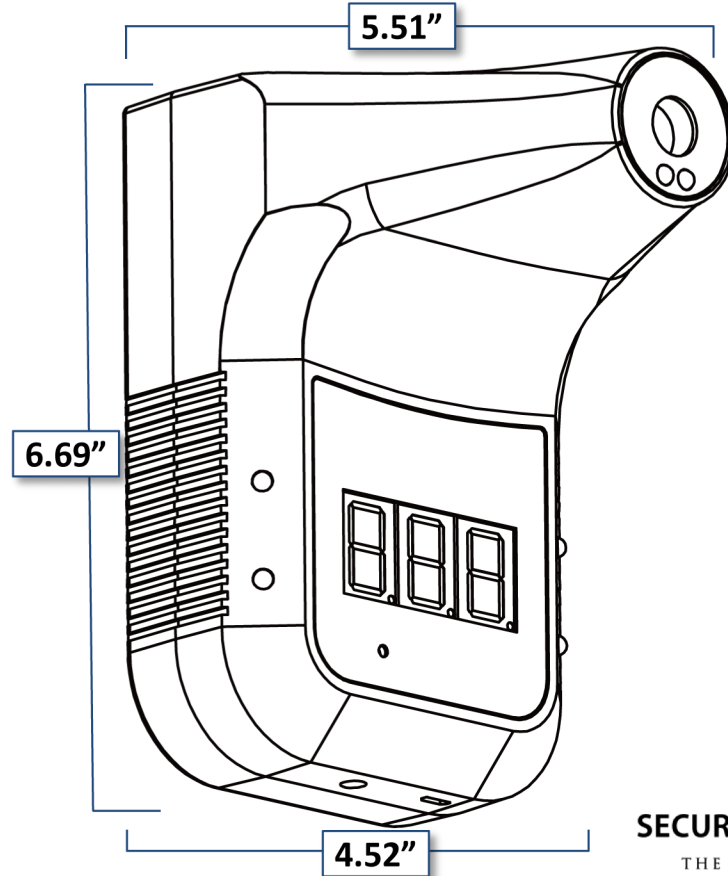
- Temperature screening range: 32 - 122°F (0-50°C)
- Made in an ISO9001 certified factory
- Temperature screening distance: 1.96 - 3.93" (5-10 cm)
- Accuracy: ± 0.2 °F



SecurityTronix ThermScan

Specifications

- USB - DC 5V Power supply included
- Dimensions: 6.69" x 4.52" x 5.51" (170 x 115 x 140mm)
- Weight: .77lbs (350g)
- FCC compliant
- RoHS



FCC

✓
RoHS

SecurityTronix ThermScan

Installation

- Can be mounted with
 - screws (included)
 - double sided tape
 - tripod





ThermScan

*Perfect for Hotels, Restaurants, Assisted Living Facilities,
Schools, Warehouses, Airports.*

Available on the MHA, Navigator and AHP Contracts

